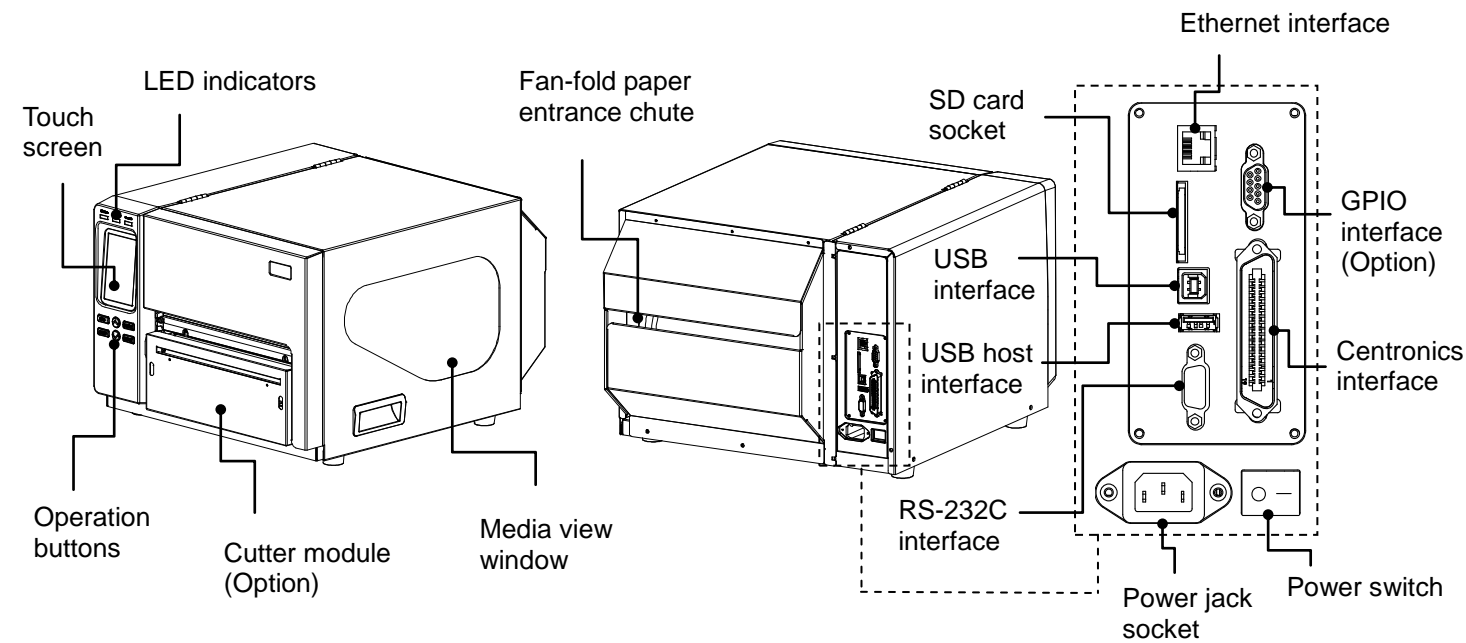
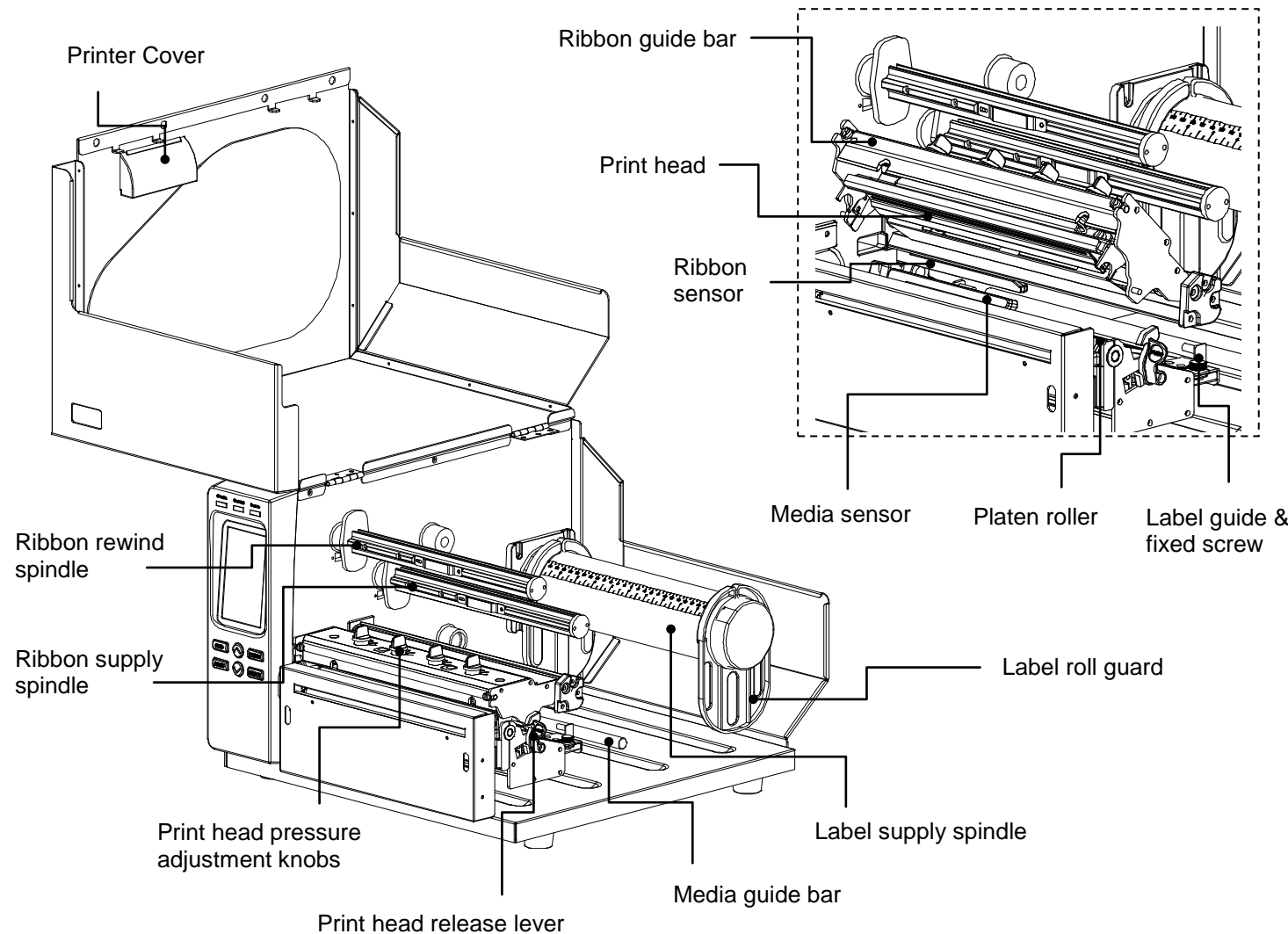


Quick Installation Guide

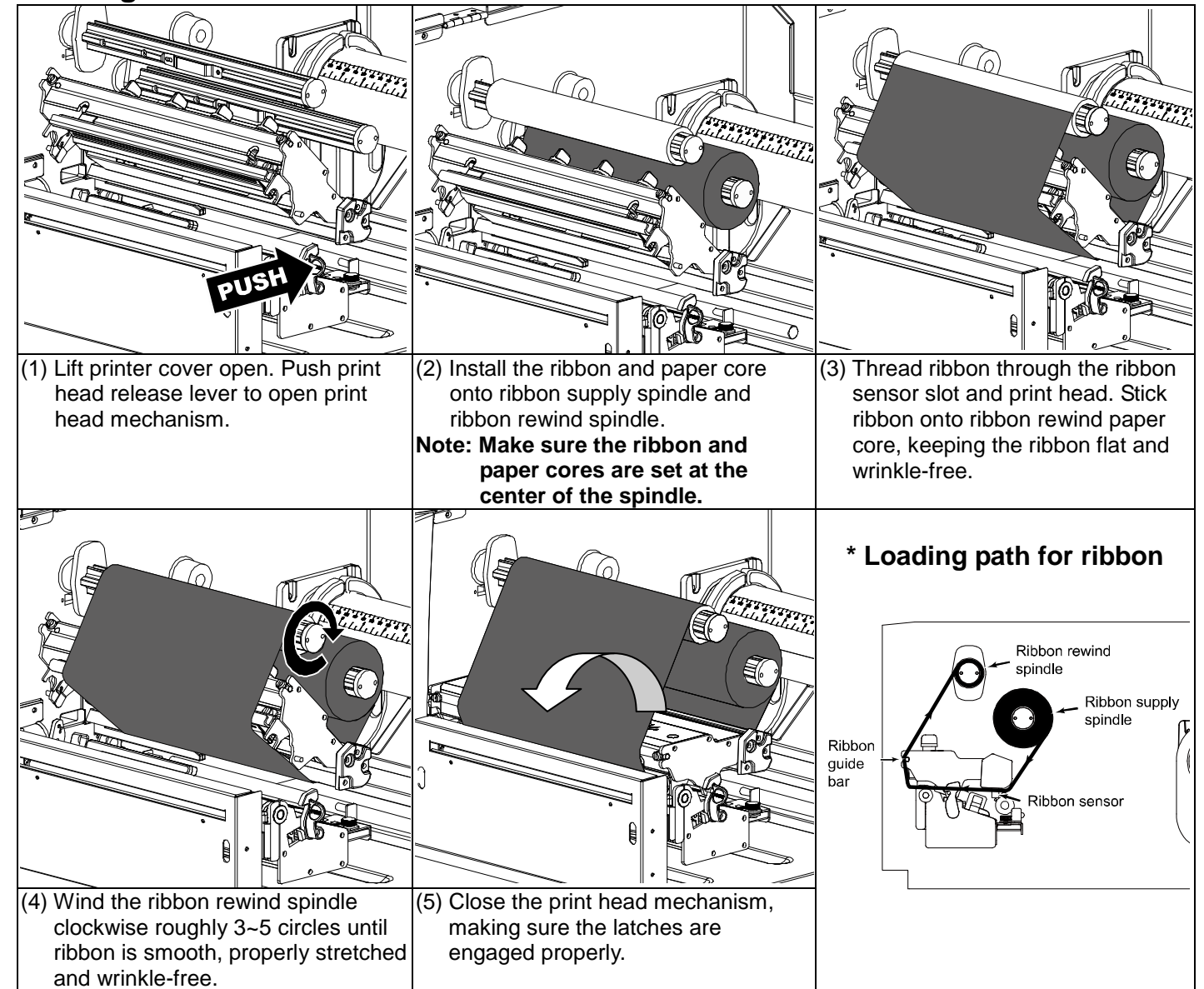
Printer Overview



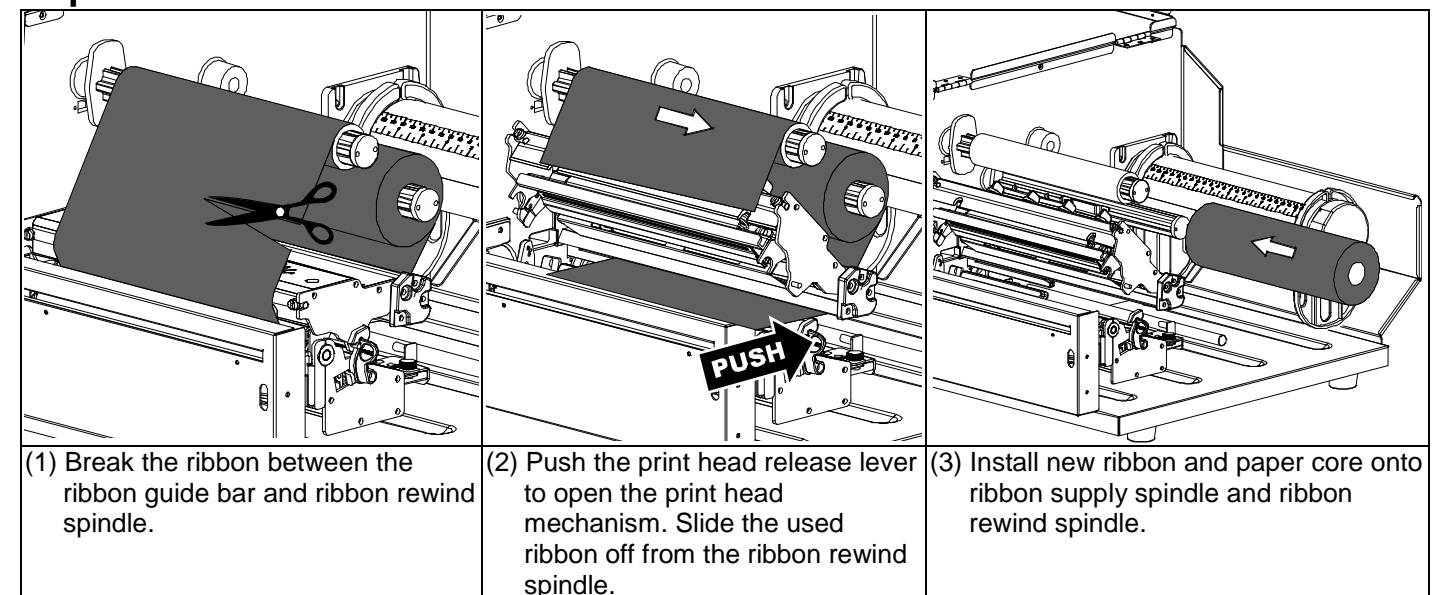
Note: The interface picture here is for reference only. Please refer to the product specification for the interfaces availability.



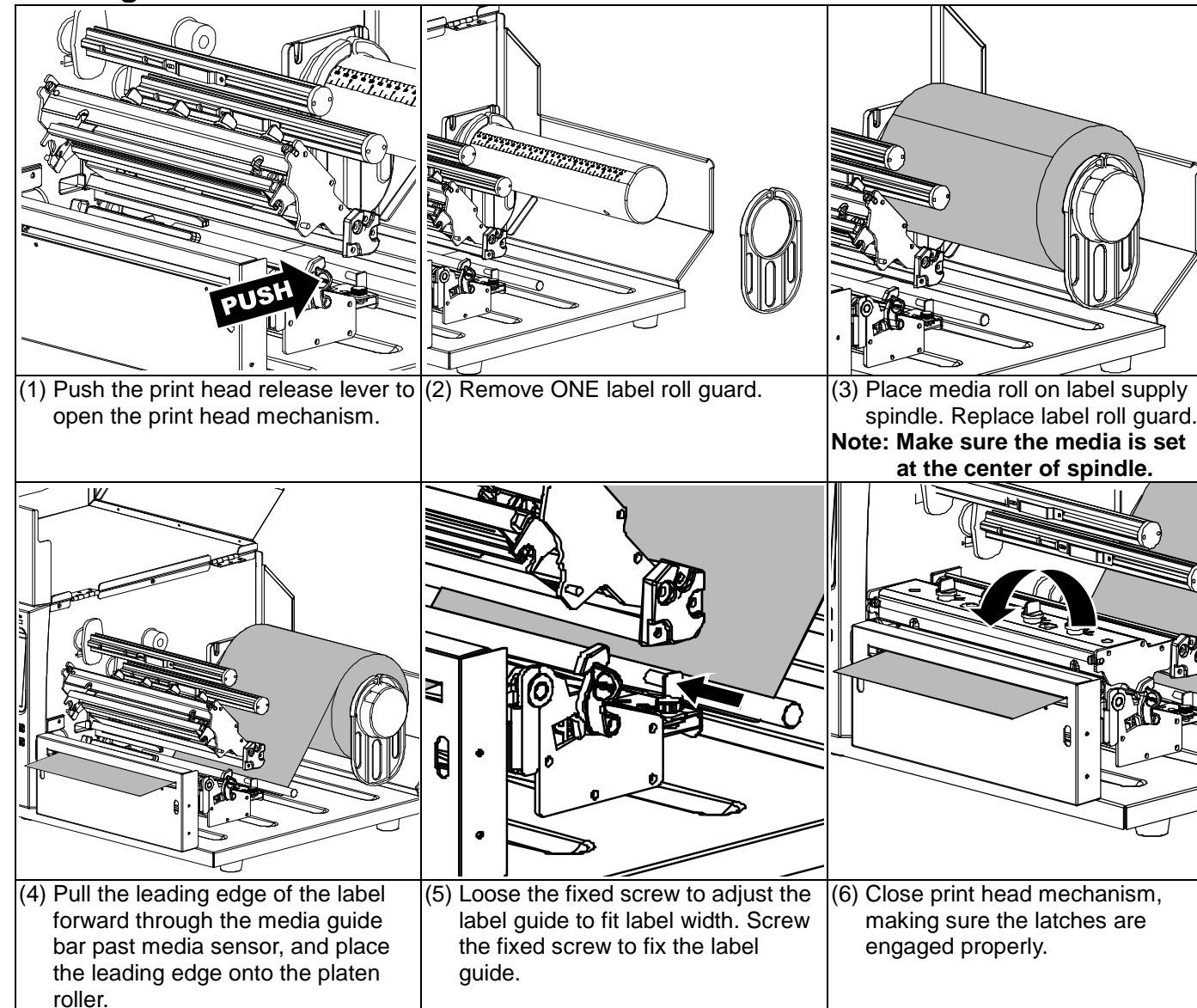
Loading the Ribbon



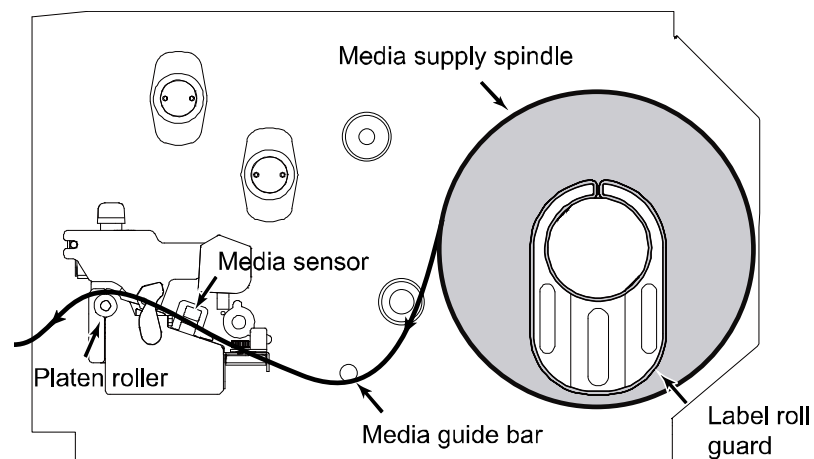
Replace the Ribbon



Loading the Media



* Loading path for media



(7) Using the front display panel, set media sensor type and calibrate the selected sensor. (See "Media Sensor Calibration" on facing page)

Note: Re-calibrate the gap/black-mark sensors when changing media.

Control Panel



LED	Status	Indication
POWER	Off	Printer power off
	On	Printer power on
ON-LINE	On	Printer is ready
	Blinking	Printer is paused Printer is downloading data
ERROR	Off	Printer is ready
	On	Carriage open or cutter error
	Blinking	No paper, paper jam or no ribbon

Keys	Function
FEED	Advances one label
PAUSE	Pause/Resume the printing process
MENU	1. Enter the menu 2. Exit from a menu or cancel a setting and return to the previous menu
SELECT	Enter/Select cursor located option
UP	Scroll up the menu list
DOWN	Scroll down the menu list

Media Sensor Calibration

The media sensor should be calibrated whenever changing the label media or after printer initialization. Please follow the steps below to calibrate the media sensor.

Method 1 : (by keys)

1. Make sure the media has been loaded properly as described above.
2. Press the "MENU" button and press the "SELECT" button to enter the main menu.
3. Press "DOWN" button to select the "Sensor" option and press "SELECT" button to enter this option.
4. Select the "Auto Calibration" item and press the "SELECT" button to enter this option.
5. Press "UP" or "DOWN" button to select the media type and press the "SELECT" button to calibrate the selected media sensor automatically.

Method 2: (by touch display)

1. Make sure the media has been loaded properly as described above.
2. Tap the "Calibration" icon to enter this option and tap the media type to calibrate the selected media sensor automatically.

Printer Initialization

Printer Initialization will restore printer settings to defaults. Please follow the steps below to initialize the printer.

Method 1 : (by keys)

1. Press the "MENU" button and press the "SELECT" button to enter the main menu.
2. Press "DOWN" button to select the "Service" option and press "SELECT" button to enter this option.
3. Select the "Initialization" item and press "SELECT" button.
4. Select "Yes" item and press "SELECT" button to restore printer settings to defaults.

Method 2: (by touch display)

1. Tap the "Menu" icon to enter the main menu and tap the "→" icon to enter the next page.
2. Tap the "Service" icon to enter this setting list and tap the "Initialization" item.
3. Tap "Yes" item to restore printer settings to defaults.

Printer Self-Test

Self-test printout is used to check if there is any heater element damaged on the print head and shows current printer configurations. Please follow the steps as below to perform printer self-test.

Method 1 : (by keys)

1. Make sure the media has been loaded properly as described above.
2. Press the "MENU" button and press the "SELECT" button to enter the main menu.
3. Press "DOWN" button to select the "Diagnostic" option and press "SELECT" button to enter this option setting list.
4. Select the "Print Config." item and press "SELECT" button to print out the self-test page.

Method 2: (by touch display)

1. Make sure the media has been loaded properly as described above.
2. Tap the "Menu" icon to enter the main menu and tap the "→" icon to enter the next page.
3. Tap the "Diagnostic" icon to enter this setting list and tap the "Print Config." item to print out the self-test page.

* For more information and features about this printer, please refer to the User's Manual inside the CD disk.