

Honeywell

CW45 Accessories

Universal and Standard

User Guide

Disclaimer

Honeywell International Inc. (“HII”) reserves the right to make changes in specifications and other information contained in this document without prior notice, and the reader should in all cases consult HII to determine whether any such changes have been made. HII makes no representation or warranties regarding the information provided in this publication.

HII shall not be liable for technical or editorial errors or omissions contained herein; nor for incidental or consequential damages resulting from the furnishing, performance, or use of this material. HII disclaims all responsibility for the selection and use of software and/or hardware to achieve intended results.

This document contains proprietary information that is protected by copyright. All rights are reserved. No part of this document may be photocopied, reproduced, or translated into another language without the prior written consent of HII.

Copyright © 2022 Honeywell Group of Companies. All rights reserved.

Web Address: sps.honeywell.com

Trademarks

Other product names mentioned in this manual may be trademarks or registered trademarks of their respective companies and are the property of their respective owners.

Patents

For patent information, see www.hsmpats.com.

TABLE OF CONTENTS

Customer Support	iii
Technical Assistance	iii
Product Service and Repair	iii
Limited Warranty	iii
Chapter 1 - Introduction	1
List of Accessories	2
Agency Models.....	2
Chapter 2 - Universal Dock Ethernet Home Base.....	3
Features	3
Out of the Box.....	4
Connect Power	4
Charge the Battery Pack.....	5
Replace the Battery Cup.....	6
Status LED	7
Chapter 3 - Universal Dock Charge Base.....	9
Features	9
Out of the Box.....	10
Connect Power	10
Charge the Battery Pack.....	10

Chapter 4 - Universal Dock 5-Bay Charge Base.....	11
Features.....	11
Out of the Box.....	12
Insert the Battery Charger.....	13
Connect Power.....	14
Charge the Battery Pack.....	14
Status LED.....	14
Chapter 5 - Quad Battery Charger	17
Features.....	17
Out of the Box.....	18
Connect Power.....	18
Charge the Battery	18
Status LED.....	19
Replace the QBC Battery Cup.....	19
Chapter 6 - Universal Dock Cups.....	21
Out of the Box.....	21
Replacing a Universal Cup.....	22
Chapter 7 - Mount a Charging Dock.....	25
Mount a Charging Dock.....	25
Chapter 8 - CW45 to 8675i Cable Adapter.....	27
Features.....	27
Out of the Box.....	27
Connecting the Cable	28
Cable Pinouts	29

Customer Support

Technical Assistance

Go to sps.honeywell.com, and then select **Support > Productivity** to find a host of options to help you quickly find the support you need and/or who to contact.

Product Service and Repair

Honeywell International Inc. provides service for all of its products through service centers throughout the world. Go to sps.honeywell.com, and then select **Support** to find a service center near you or to get a Return Material Authorization number (RMA #) before returning a product.

Limited Warranty

For warranty information, go to sps.honeywell.com and select **Support > Warranties**.

INTRODUCTION

Honeywell offers a full range of standard and universal accessories for the CW45 mobile computer, including:

- Ethernet Homebase for one device and one battery ([page 3](#))
- Charge Base for up to four devices ([page 9](#))
- 5-Bay Charge Base for five devices or four devices and four batteries ([page 11](#))
- Quad Battery Charger ([page 17](#))
- Replacement Cups for Universal Bases ([page 21](#))
- CW45 to 8675i Cable Adapter ([page 27](#))

Note: *Throughout this manual, all versions of the mobile device are referred to as the CW45 computer unless information is specific to a particular model.*



Caution: We recommend the use of Honeywell accessories and power adapters. Use of any non-Honeywell accessories or power adapters may cause damage not covered by the warranty.

Mise en garde: Il est recommandé d'utiliser les périphériques, les cordons d'alimentation et les adaptateurs secteur conçus par Honeywell. L'utilisation de tout périphérique, cordon d'alimentation ou adaptateur secteur d'une autre marque est susceptible de provoquer des dommages non couverts par la garantie.



Caution: Make sure that all components are dry prior to using the computers and batteries with accessories. Using wet components may cause damage not covered by the warranty.

Mise en garde: Assurez-vous que tous les composants sont secs avant de connecter les terminaux/batteries à des périphériques. L'insertion de composants humides risque de provoquer des dommages non couverts par la garantie.

List of Accessories

Accessory	Part Number
Universal Ethernet Home Base	CW45-EB-UVN
Universal Charge Base	CW45-CB-UVN
Universal 5-Bay Charge Base	CW45-5CB-UVN
Quad Battery Charger	CW45-QBC
Universal Cup	CW45-UCP-N
Quad Battery Charger Cup	CW45-UPC-QBC
Home Base Battery Cup	CW45-UPC-BATTHEB
CW45 to 8675i Cable	CW45-8675-CBL

For a complete list of accessories for your CW45 mobile computer and their part numbers see the *Accessory Guide* for your device, available for download at sps.honeywell.com.

Contact your local sales representative for ordering information.

Agency Models

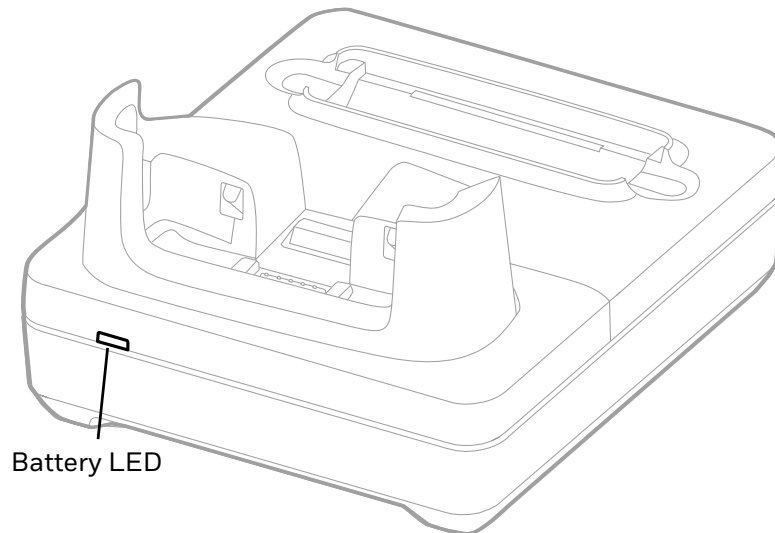
CT40-EB, CT40-CB, CT30P-QBC, ME-5bay-CB, CW45-8675-CBL

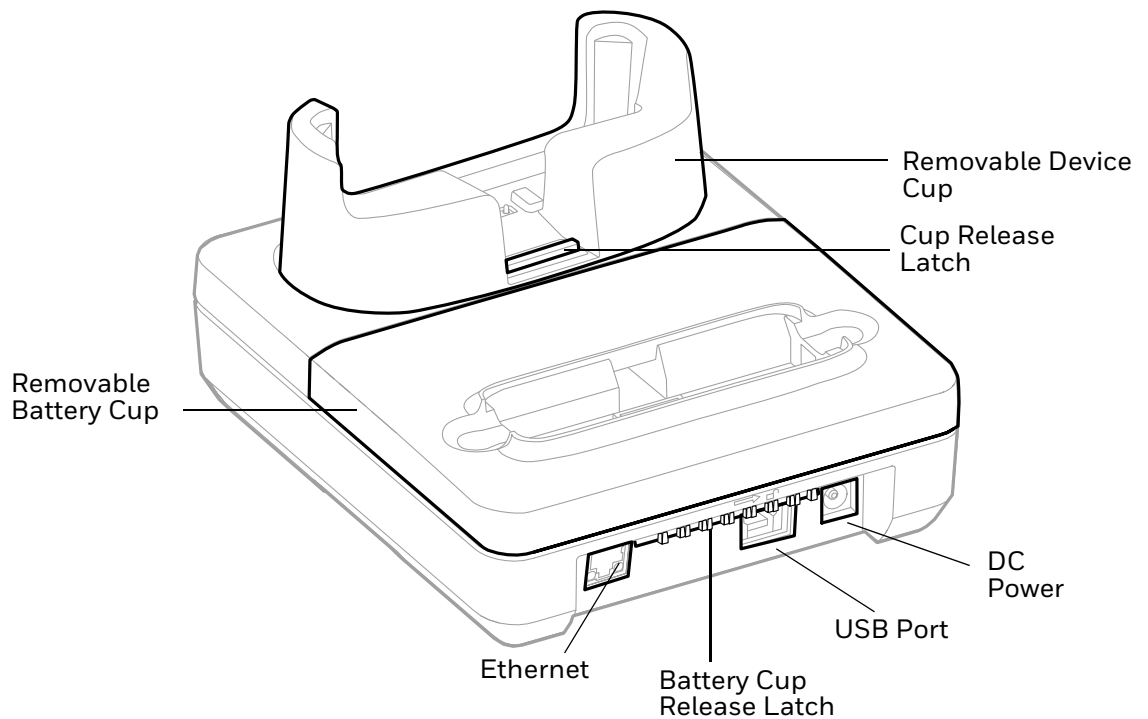
UNIVERSAL DOCK ETHERNET HOME BASE

An Ethernet Home Base is a charge/communication base for one mobile computer and one spare battery. The CW45-EB-UVN Universal Dock Ethernet Home Base also has an Ethernet connector as well as a USB client connector (Type B).

Universal Dock bases have removable device cups that can be replaced. (See [Universal Dock Cups](#) on page 21.) The CW45-EB-UVN also has a removable battery cup. (See [Replace the Battery Cup](#) on page 6.)

Features





Out of the Box

Make sure that your shipping box contains these items:

- Universal Dock Ethernet Home Base (CW45-EB-UVN)
- Power supply
- Power cord (if purchased)
- Product documentation

If any of these items are missing or appear damaged, contact your Customer Account Representative. Keep the original packaging in the event that you need to return the base for service or if you want to store the charger while not in use.

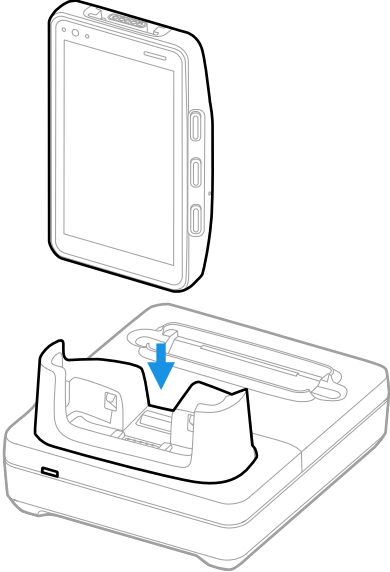
Connect Power

Use only a UL Listed power supply that has been qualified by Honeywell with an output rated at 12VDC and 3A. The power supply input rating is 90-264 VAC, 50/60 Hz. The operating temperature is -10 °C to 50 °C (14 °F to 122 °F). The maximum output of the base is 5VDC/2A.

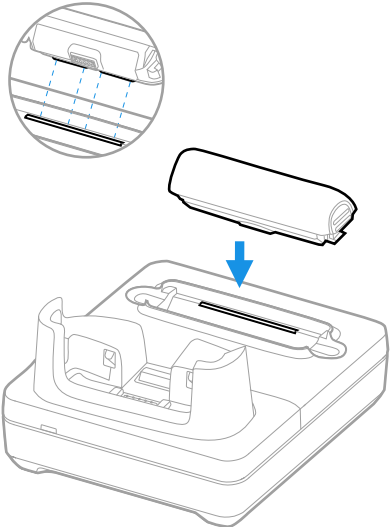
1. Plug the power cord into the power supply.
2. Plug the power supply cable into the power connector on the back of the base.
3. Plug the power cord into a standard wall outlet.

Charge the Battery Pack

Insert computer into the CW45-EB-UVN. Unit will not charge unless a battery is installed.



You can also insert a battery pack into the Ethernet Home Base for charging by lining up the tabs on the battery with the slot on the base.



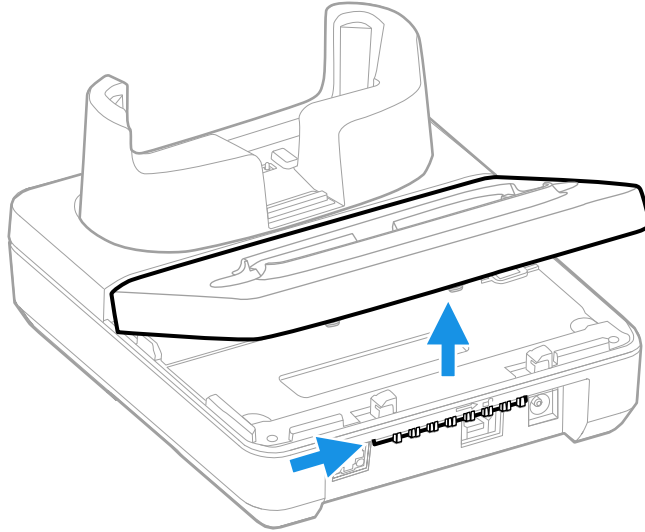
Replace the Battery Cup

The CW45-EB-UVN has a replaceable battery cup (CW45-UPC-BATTHEB).

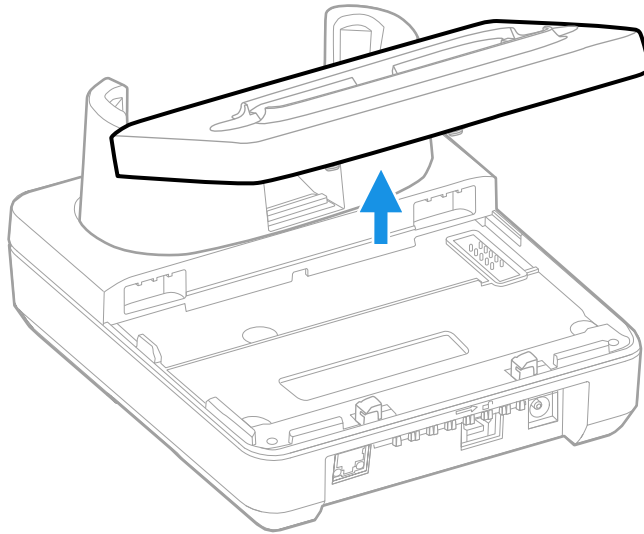


Caution: Keep the base flat to avoid dropping the battery cup.

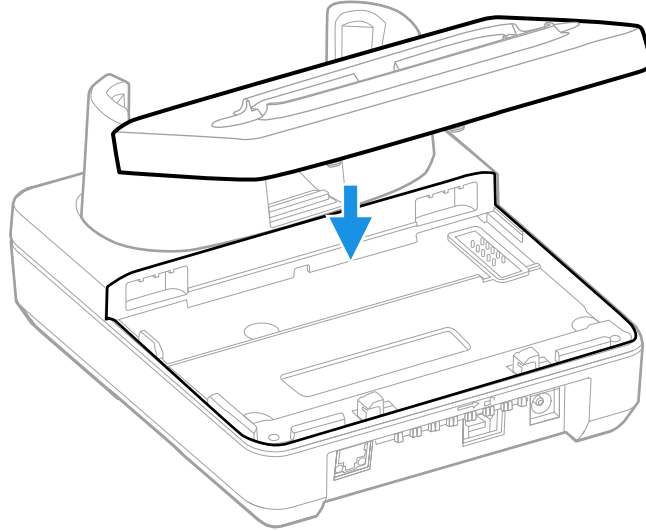
1. Remove all cables to allow clear access to the latch.
2. While holding the battery cup latch to the right, lift the back of the cup.



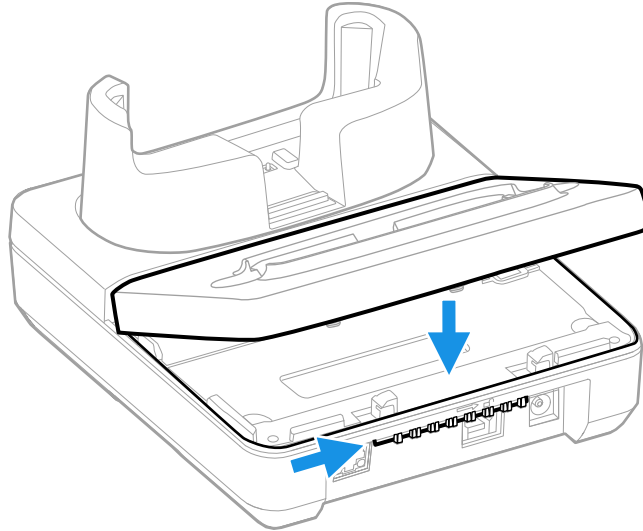
3. Release the latch and lift the old cup out of the base.



4. Insert the new cup tilted slightly towards the front of the base.



5. While holding the latch to the right, push the back of the cup into the base until it snaps in.



6. Release the latch.

Status LED

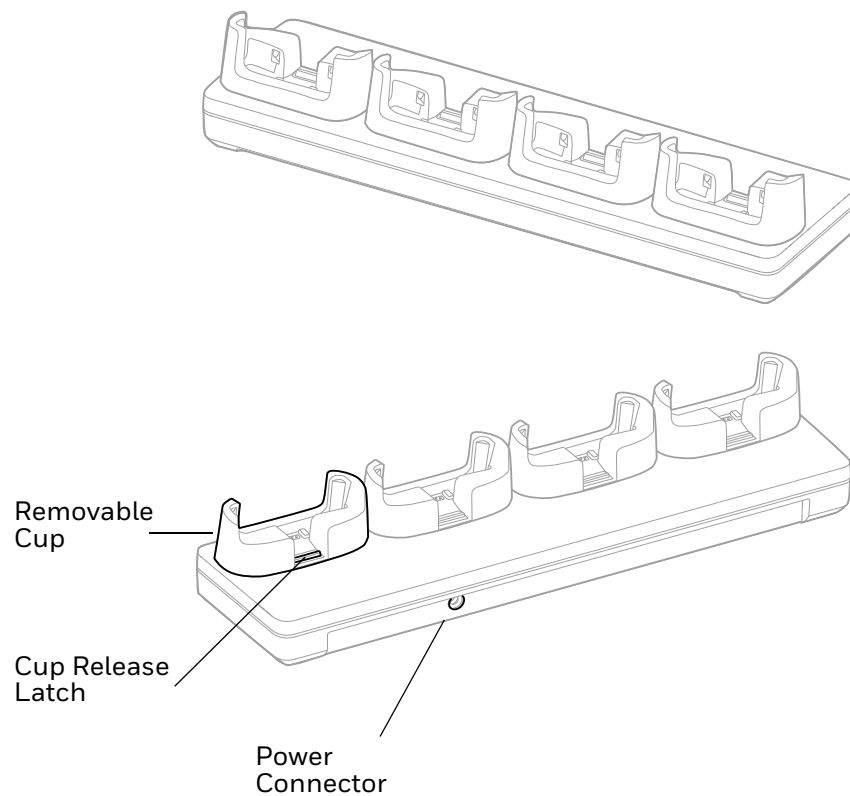
LED	Status	Description
Battery	Solid Green	The battery is connected to external power and is fully charged.
	Solid Amber	The battery is connected to external power and is charging.
	Flashing Red	There is a battery charging fault, such as over-temperature.

UNIVERSAL DOCK CHARGE BASE

The CW45-CB-UVN Universal Dock Charge Base charges up to four mobile computers.

Universal Dock bases have removable cups that can be replaced. (See [Universal Dock Cups](#) on page 21.)

Features



Out of the Box

Make sure that your shipping box contains these items:

- Universal Dock Charge Base (CW45-CB-UVN)
- Power supply
- Power cord (if purchased)
- Product documentation

If any of these items are missing or appear damaged, contact your Customer Account Representative. Keep the original packaging in the event that you need to return the base for service or if you want to store the charger while not in use.

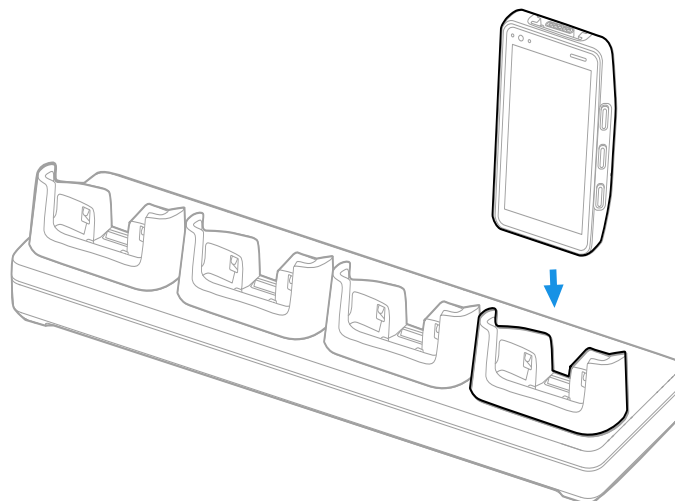
Connect Power

Use only a UL Listed power supply that has been qualified by Honeywell with an output rated at 12V/7A. The power supply input rating is 100-240 VAC, 50/60 Hz. The operating temperature is -10 °C to 50 °C (14 °F to 122 °F).

1. Plug the power cord into the power supply.
2. Plug the power supply cable into the power connector on the back of the base.
3. Plug the power cord into a standard wall outlet.

Charge the Battery Pack

Insert device with battery installed into the charge base.

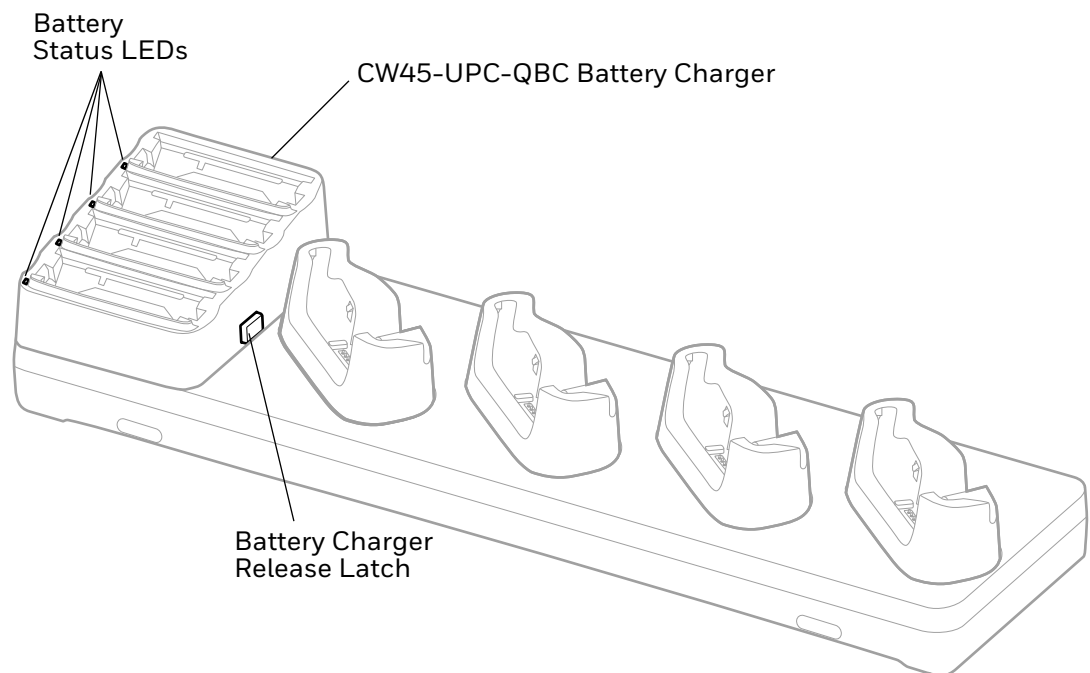


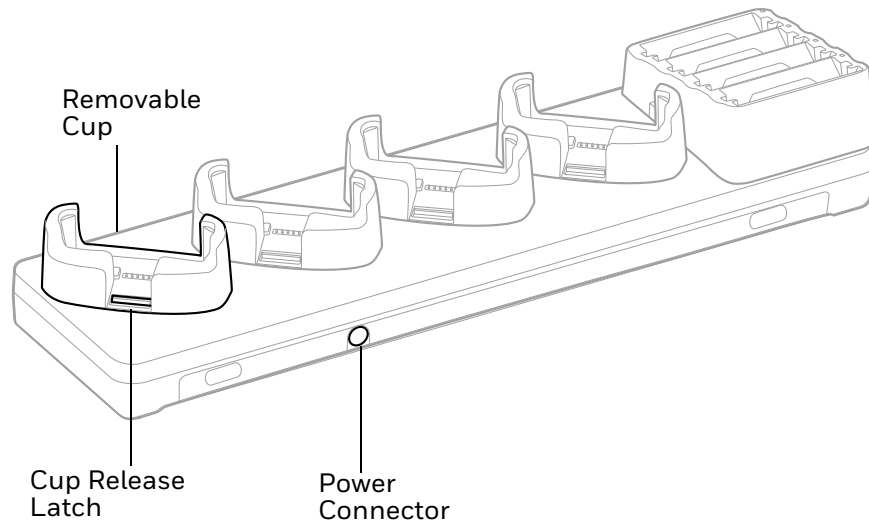
UNIVERSAL DOCK 5-BAY CHARGE BASE

The Universal Dock Five-Bay Charge Base CW45-5CB-UVN provides the flexibility of charging five units or four units and four batteries with the battery charger.

Universal Dock bases have removable cups that can be replaced. (See [Universal Dock Cups](#) on page 21.)

Features





Out of the Box

Make sure that your shipping box contains these items:

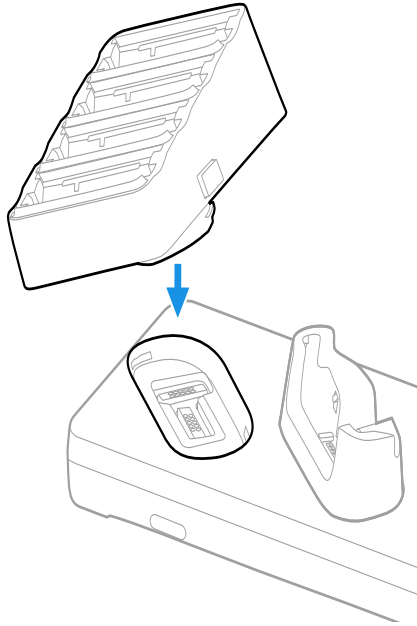
- Universal Dock Five-Bay Charge Base (CW45-5CB-UVN)
- Power supply
- Power cord (if purchased)
- Product documentation

If any of these items are missing or appear damaged, contact your Customer Account Representative. Keep the original packaging in the event that you need to return the base for service or if you want to store the charger while not in use.

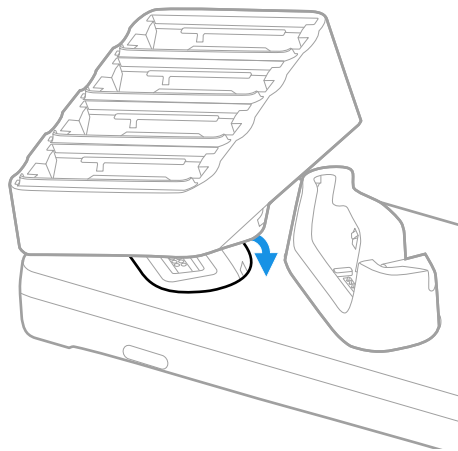
Insert the Battery Charger

Note: The Battery Charger must be installed in the location shown below.

1. Insert the battery charger tilted slightly to the left of the base.



2. Press the latch release button as you push the battery charger down until it snaps in.



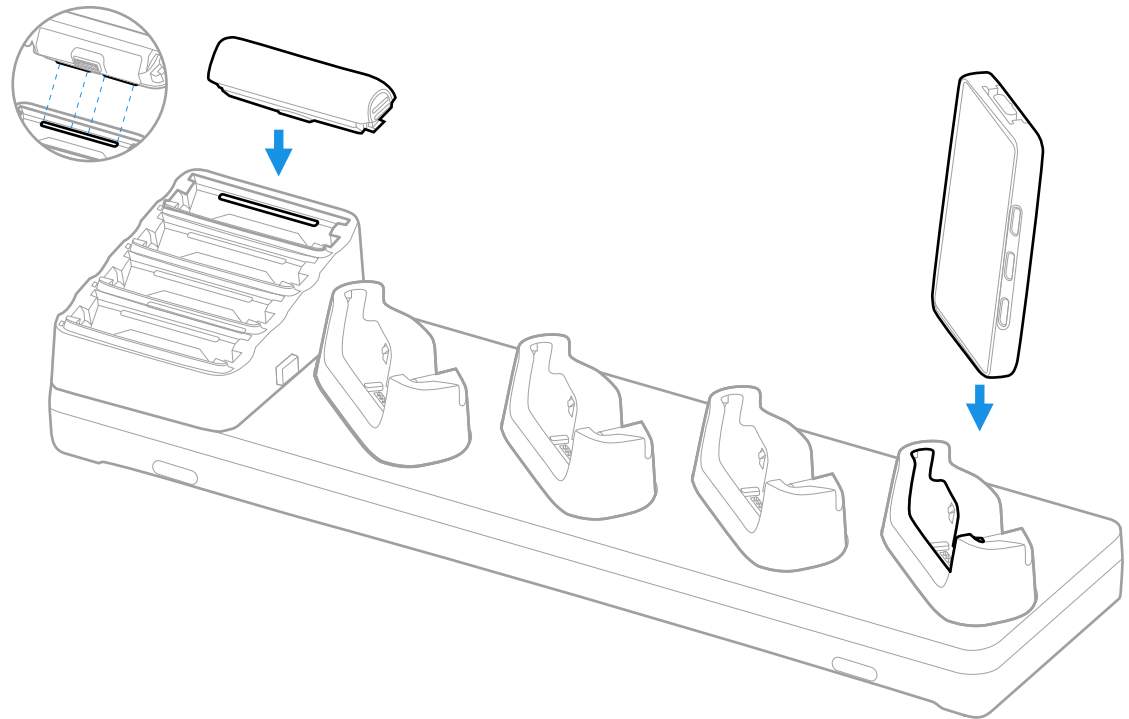
Connect Power

Use only a UL Listed power supply that has been qualified by Honeywell with an output rated at 12V/8.3A. The power supply input rating is 100-240 VAC, 50/60 Hz. The operating temperature is 0 °C to 45 °C (32 °F to 113 °F).

1. Plug the power cord into the power supply.
2. Plug the power supply cable into the power connector on the back of the base.
3. Plug the power cord into a standard wall outlet.

Charge the Battery Pack

Insert a device with a battery installed into the 5-Bay Charge Base. Or insert a battery into the battery charger by lining up the tabs on the battery with the slot in the charger.



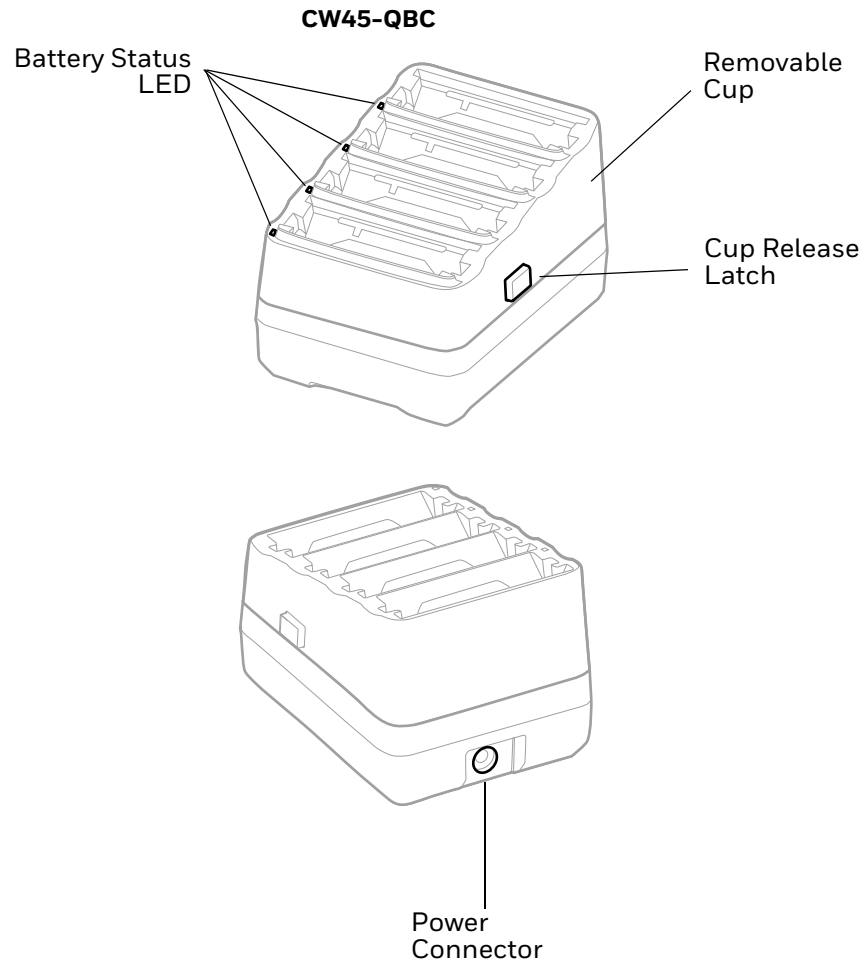
Status LED

LED	Status	Description
Battery	Solid Green	The battery is connected to external power and is fully charged.
	Solid Amber	The battery is connected to external power and is charging.
	Flashing Red	There is a battery charging fault, such as over-temperature.

QUAD BATTERY CHARGER

The Quad Battery Charger charges up to four CW45 batteries. The battery charger also has a removable battery cup. (See [Replace the QBC Battery Cup](#) on page 19).

Features



Out of the Box

Make sure that your shipping box contains these items:

- Quad Battery Charger (CW45-QBC)
- Power supply
- Power cord (if purchased)
- Product documentation

If any of these items are missing or appear damaged, contact your Customer Account Representative. Keep the original packaging in the event that you need to return the charger for service or if you want to store it while not in use.

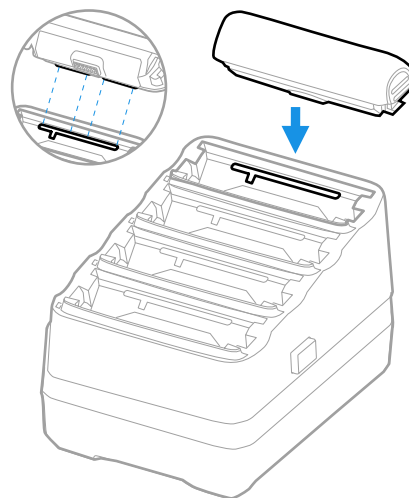
Connect Power

Use only a UL Listed power supply that has been qualified by Honeywell with an output rated at 12V/3A. The power supply input rating is 100-240 VAC, 50/60 Hz. The operating temperature is 0 °C to 45 °C (32 °F to 113 °F).

1. Plug the power cord into the power supply.
2. Plug the power supply cable into the power connector on the back of the base.
3. Plug the power cord into a standard wall outlet.

Charge the Battery

Insert one to four battery packs into the charger by lining up the tabs on the battery with the slot in the charger.



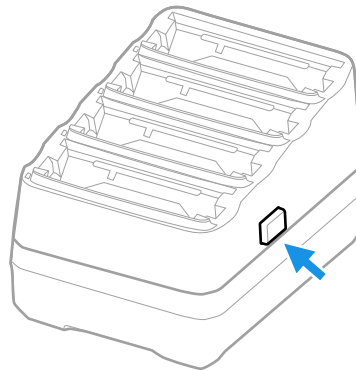
Status LED

LED	Status	Description
Battery	Solid Green	The battery is connected to external power and is fully charged.
	Solid Amber	The battery is connected to external power and is charging.
	Flashing Red	There is a battery charging fault, such as over-temperature.

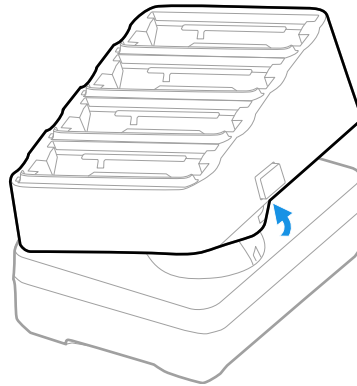
Replace the QBC Battery Cup

The CW45 QBC has a replaceable battery cup (CW45-UPC-QBC).

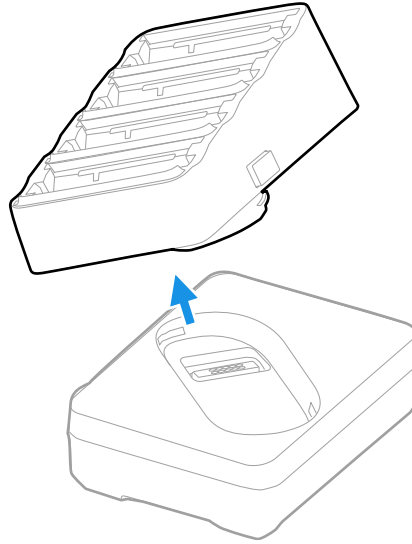
1. Push the release latch in.



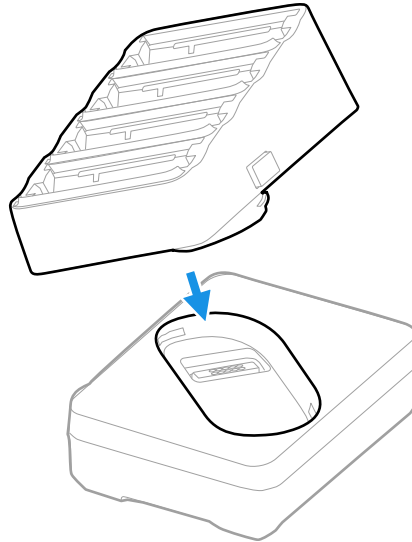
2. Tilt the latch side of the cup upwards.



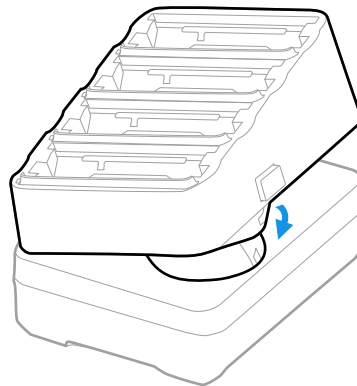
3. Lift the old cup out of the base.



4. Insert the new cup tilted slightly towards the side of the base.



5. Push the cup into the base until it snaps in.



UNIVERSAL DOCK CUPS

Universal Dock bases have removable device cups that can be replaced with Universal Cup CW45-UCP-N.

For more information about universal docks for CW45 computers, see:

- [Universal Dock Ethernet Home Base](#) (page 3)
- [Universal Dock Charge Base](#) (page 9)
- [Universal Dock 5-Bay Charge Base](#) (page 11)

Out of the Box

Make sure that your shipping box contains these items:

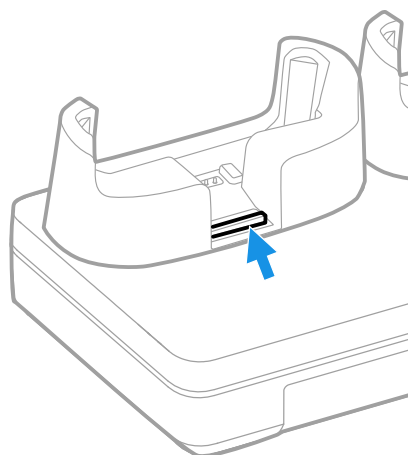
- Universal Cup (CW45-UCP-N)

If any of these items are missing or appear damaged, contact your Customer Account Representative. Keep the original packaging in the event that you need to return the base for service or if you want to store the charger while not in use.

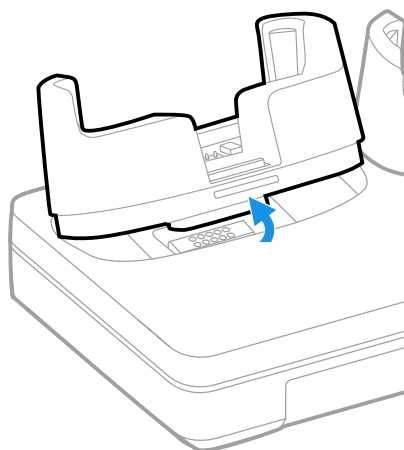
Replacing a Universal Cup

Note: A Charge Base is shown in the instructions below for illustration purposes. The steps for removing and inserting a cup are the same for all Universal Dock bases.

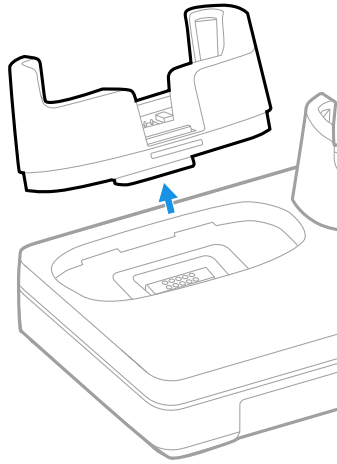
1. Push the latch towards the front of the base.



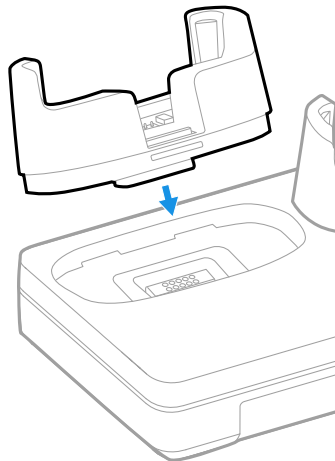
2. Tilt the back of the cup upwards.



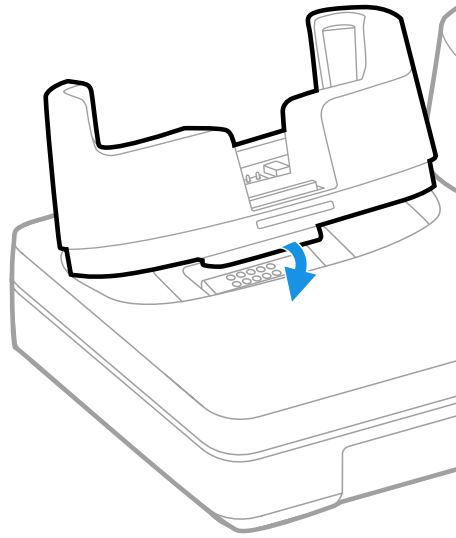
3. Lift the old cup out of the base.



4. Insert the new cup tilted slightly towards the front of the base.



5. Push the cup into the base until it snaps in.



MOUNT A CHARGING DOCK

Mount a Charging Dock

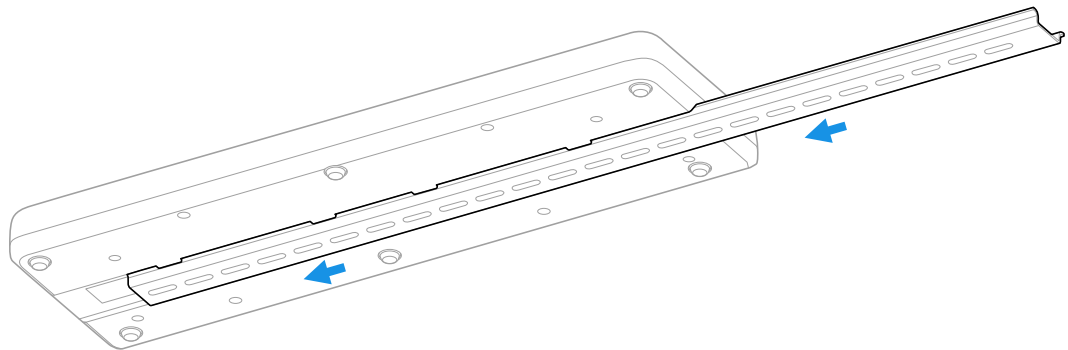
You can mount CW45 docks and chargers on a flat, horizontal surface such as a desktop or workbench using an optional DIN rail.

Mounting hardware required:

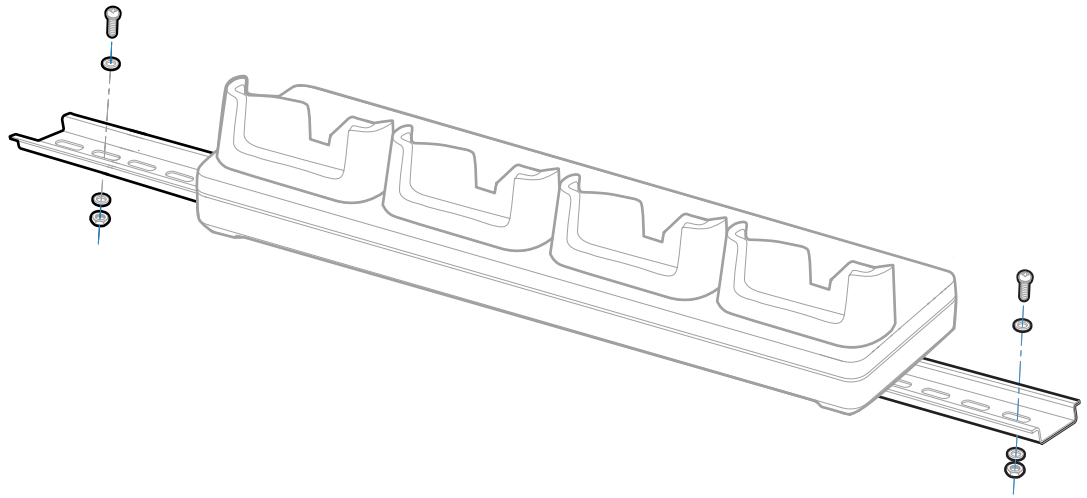
- DIN rail
- 3/16-inch diameter x 5/8-inch long pan head screw
- 1/2-inch OD x 7/32-inch ID x 3/64-inch thick washer
- 3/16-inch diameter nut

Note: A Charge Base is shown in the instructions below for illustration purposes. The mounting steps are the same for all CW45 docks and chargers.

1. Slide the DIN rail into the slot on the bottom.



2. Secure the DIN rail to the flat surface with the hardware.

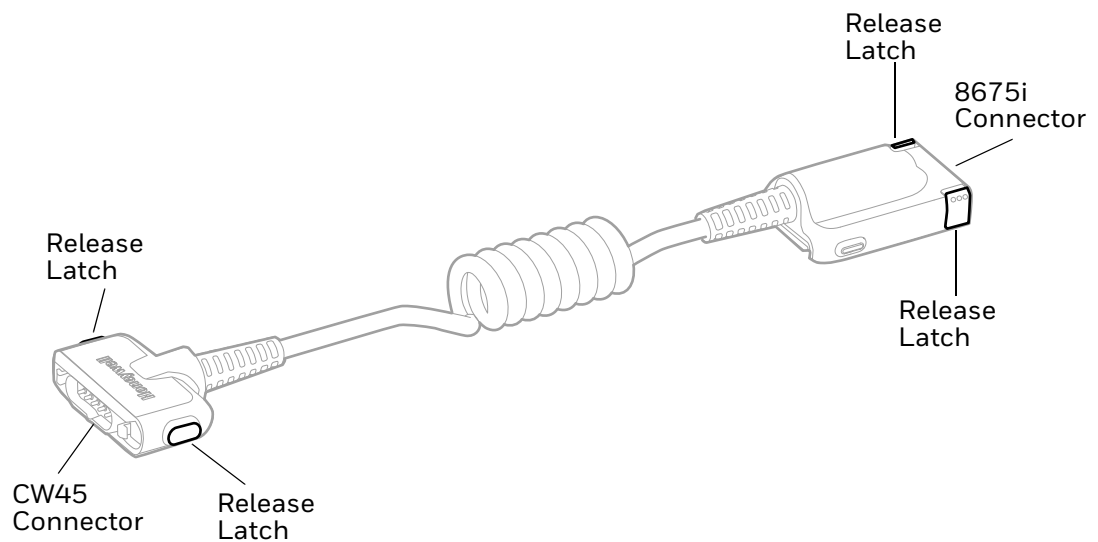


Note: Charging cup appearance may differ depending on model.

CW45 TO 8675I CABLE ADAPTER

The CW45-8675-CBL adapter connects a CW45 to an 8675i Rugged Compact Wearable Scanner (sold separately). The cable provides power and communications between the CW45 and the scanner. For more information about 8675i scanners, refer to the 8675i product page at sps.honeywell.com.

Features



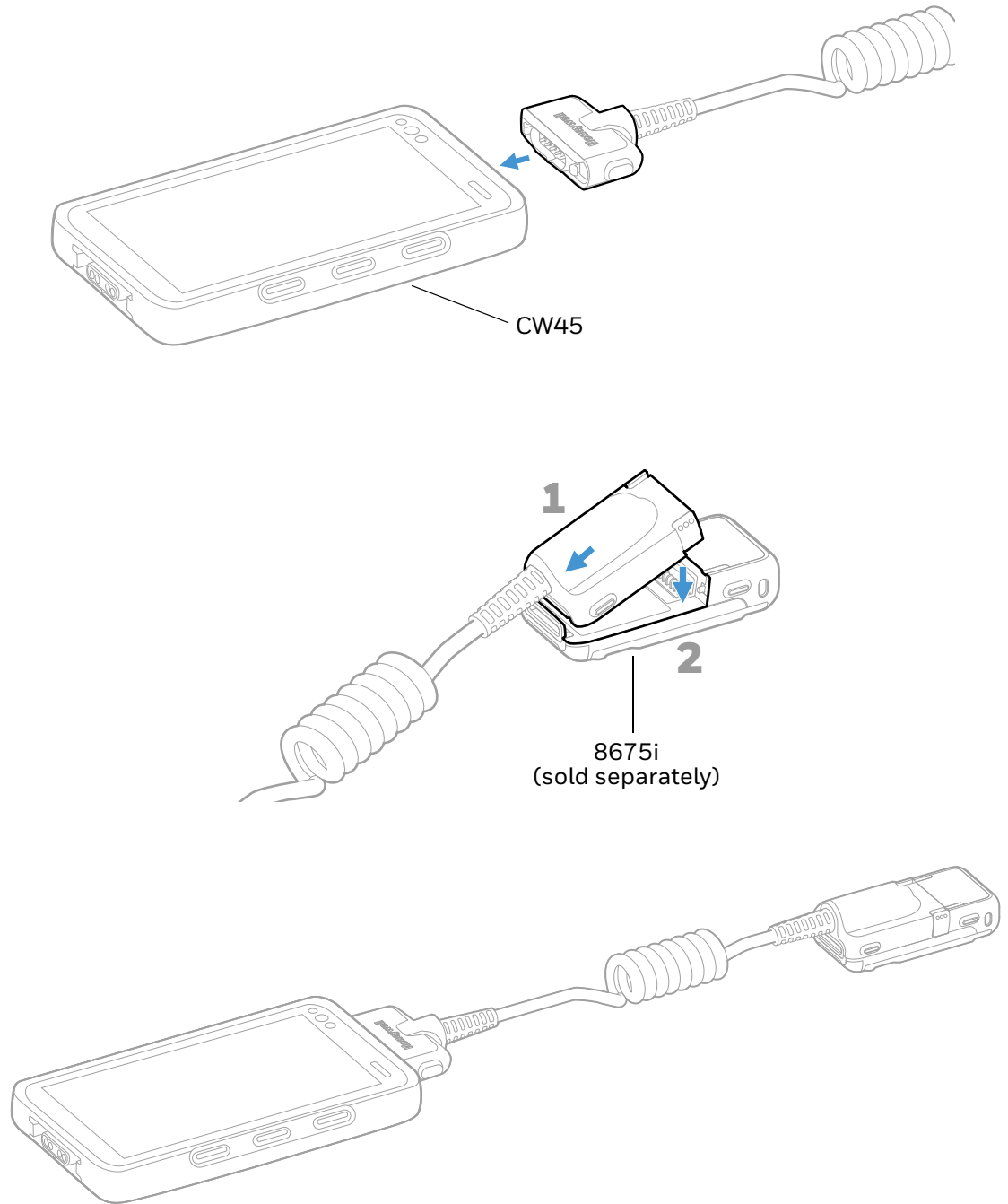
Out of the Box

Make sure that your shipping box contains these items:

- CW45-8675 Cable Adapter (CW45-8675-CBL)
- Product documentation

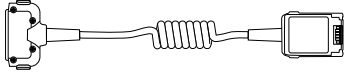
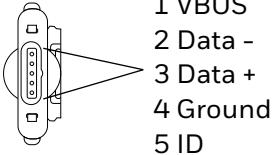
Connecting the Cable

Note: The CW45-8675-CBL can be connected to either I/O connector on a CW45, depending on whether the device will be worn on the left or right arm. For more information about the CW45 mount system, refer to the CW45 User Guide available from sps.honeywell.com.

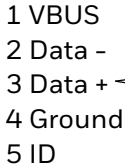


Cable Pinouts

CW45 Connector



8675i Connector



Honeywell
855 S. Mint Street
Charlotte, NC 28202

sps.honeywell.com