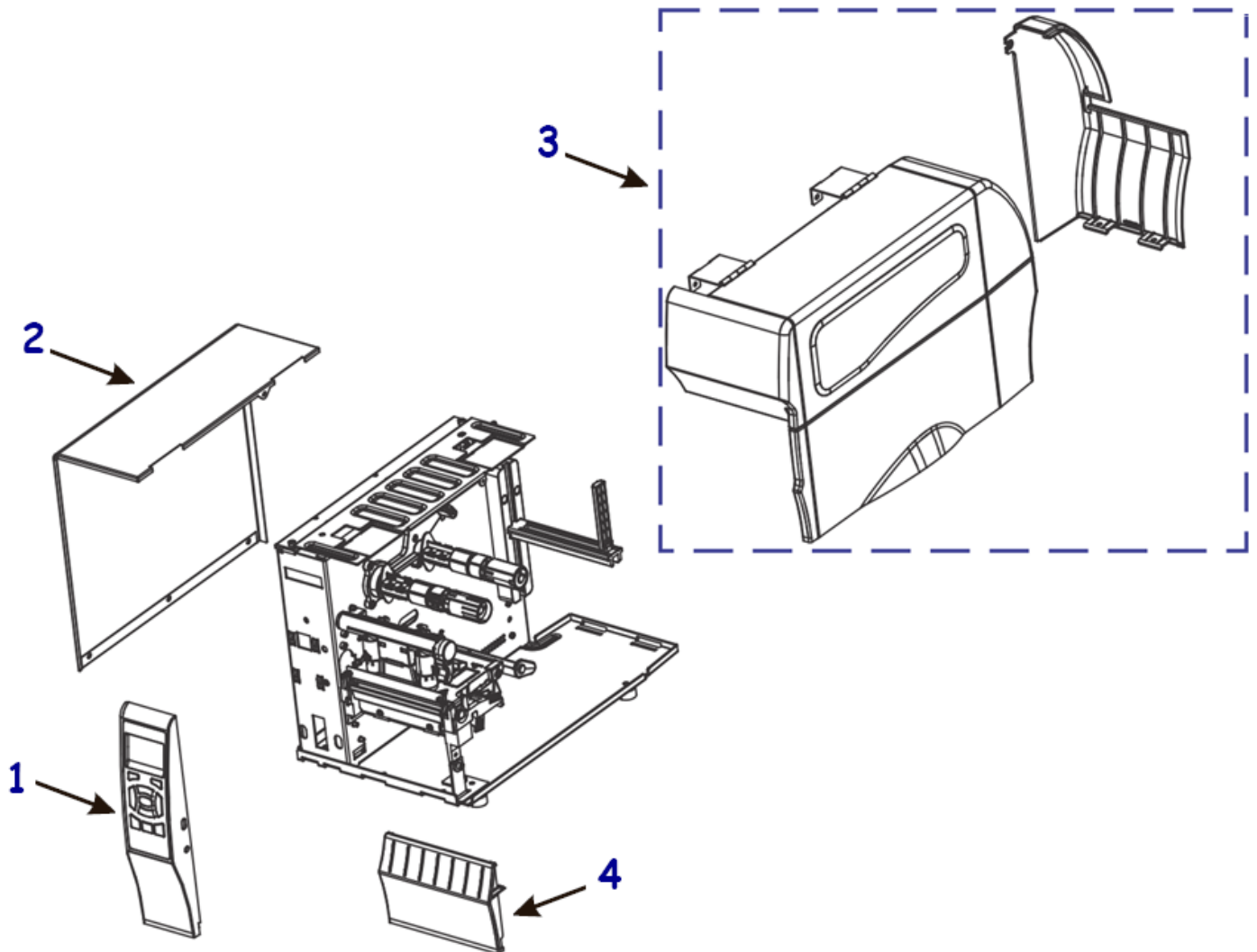


ZT200 Series Parts Catalog

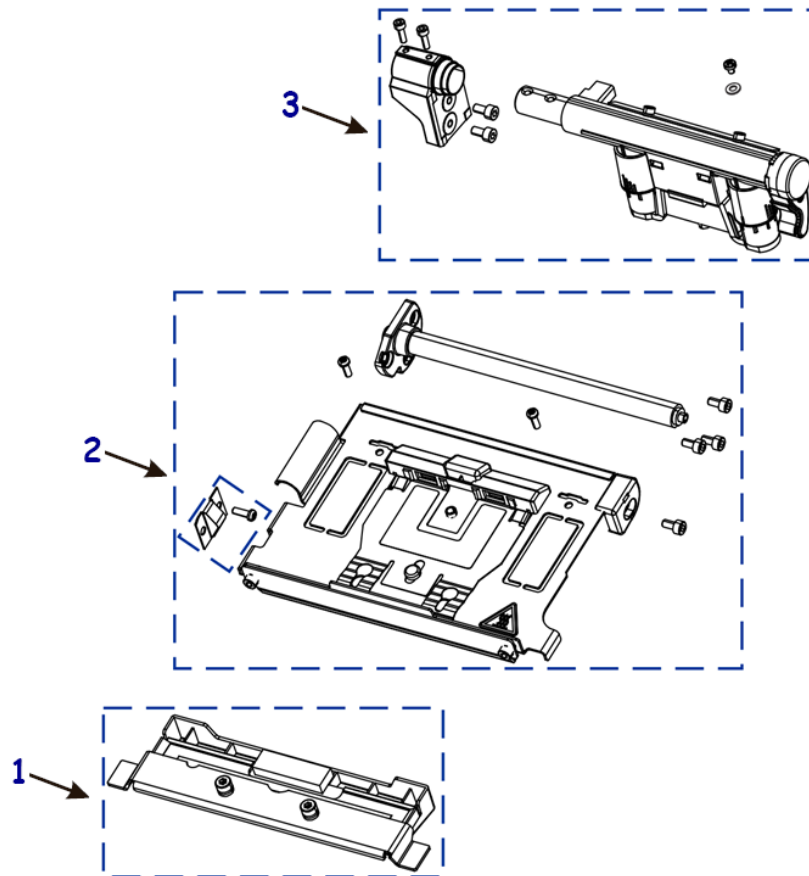
Outer Casing Components



| Item Number | Description | Part Number | Kit Quantity |
|-------------|---|--------------|--------------|
| 1 | Kit Control Panel ZT230 | P1037974-031 | 1 |
| 1 | Kit Control Panel ZT220 | P1037990-002 | 1 |
| 1 | Kit Control Panel ZT210 | P1037991-001 | 1 |
| 2 | Kit Electronics Cover ZT230 or ZT210 | P1037974-034 | 1 |
| 2 | Kit Electronics Cover ZT220 | P1037990-005 | 1 |
| 3 | Kit Media Cover ZT230 | P1037974-032 | 1 |
| 3 | Kit Media Cover ZT220 | P1037990-003 | 1 |
| 3 | Kit Media Cover ZT210 | P1037991-002 | 1 |
| 4 | Kit Front Lower Panels ZT230 (includes tear and peel panels) | P1037974-033 | 1 |
| 4 | Kit Front Lower Panels ZT220 or ZT210 (includes tear and peel panels) | P1037990-004 | 1 |
| | Kit Media Window ZT230 or ZT210 only (not applicable to ZT220) | P1037974-049 | 1 |

ZT200 Series Parts Catalog

Print Mechanism Components



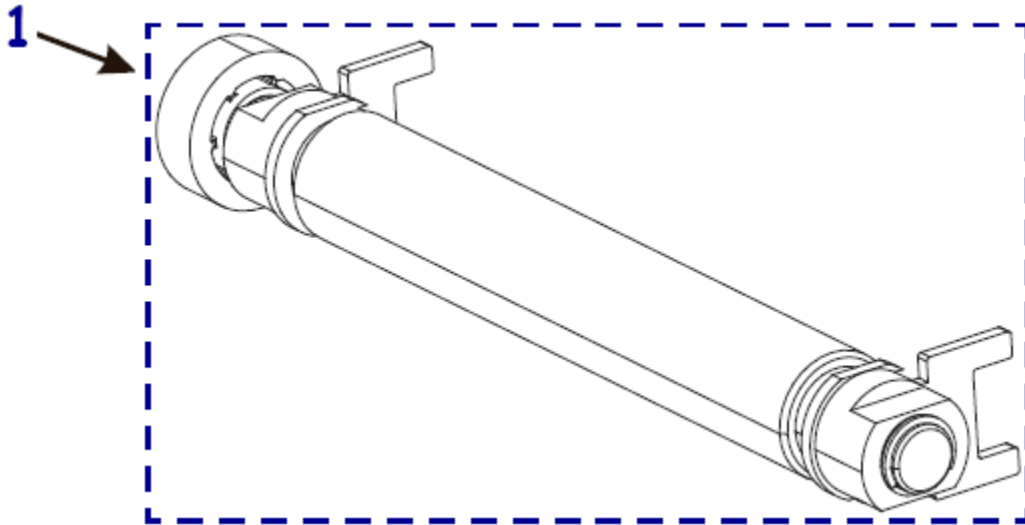
| Item Number | Description | Part Number | Kit Quantity |
|-------------|--|--------------|--------------|
| 1 | Kit Printhead 203 dpi ZT200 Series | P1037974-010 | 1 |
| 1 | Kit Printhead 300 dpi ZT200 Series | P1037974-011 | 1 |
| 2 | Kit Thermal Transfer Print Mechanism ZT200 Series (includes ribbon sensor with cable, printhead cables and ground contact) | P1037974-013 | 1 |
| 2 | Kit Direct Thermal Print Mechanism ZT200 Series (includes printhead cables and ground contact) | P1037974-056 | 1 |
| 3 | Kit Toggle Bar ZT200 Series | P1037974-014 | 1 |
| | Kit Ribbon Strip Plate and Ribbon Static Brush ZT200 Series | P1037974-047 | 1 |
| | Kit Ground Contact ZT200 Series | P1037974-015 | 1 |

Printhead dpi conversion kits

| Item Number | Description | Part Number | Kit Quantity |
|-------------|---|--------------|--------------|
| | Kit Convert 203 dpi to 300 dpi ZT200 Series | P1037974-005 | 1 |
| | Kit Convert 300 dpi to 203 dpi ZT200 Series | P1037974-006 | 1 |

ZT200 Series Parts Catalog

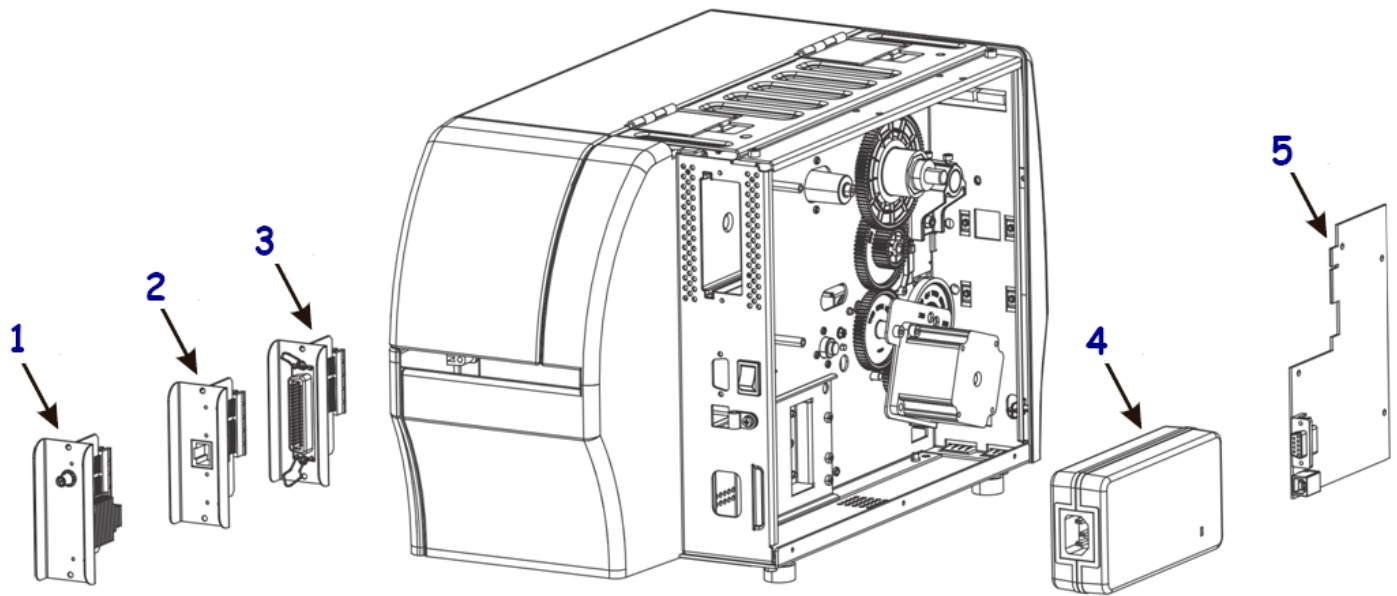
Platen Roller



| Item Number | Description | Part Number | Kit Quantity |
|-------------|--------------------------------|--------------|--------------|
| 1 | Kit Platen Roller ZT200 Series | P1037974-028 | 1 |

ZT200 Series Parts Catalog

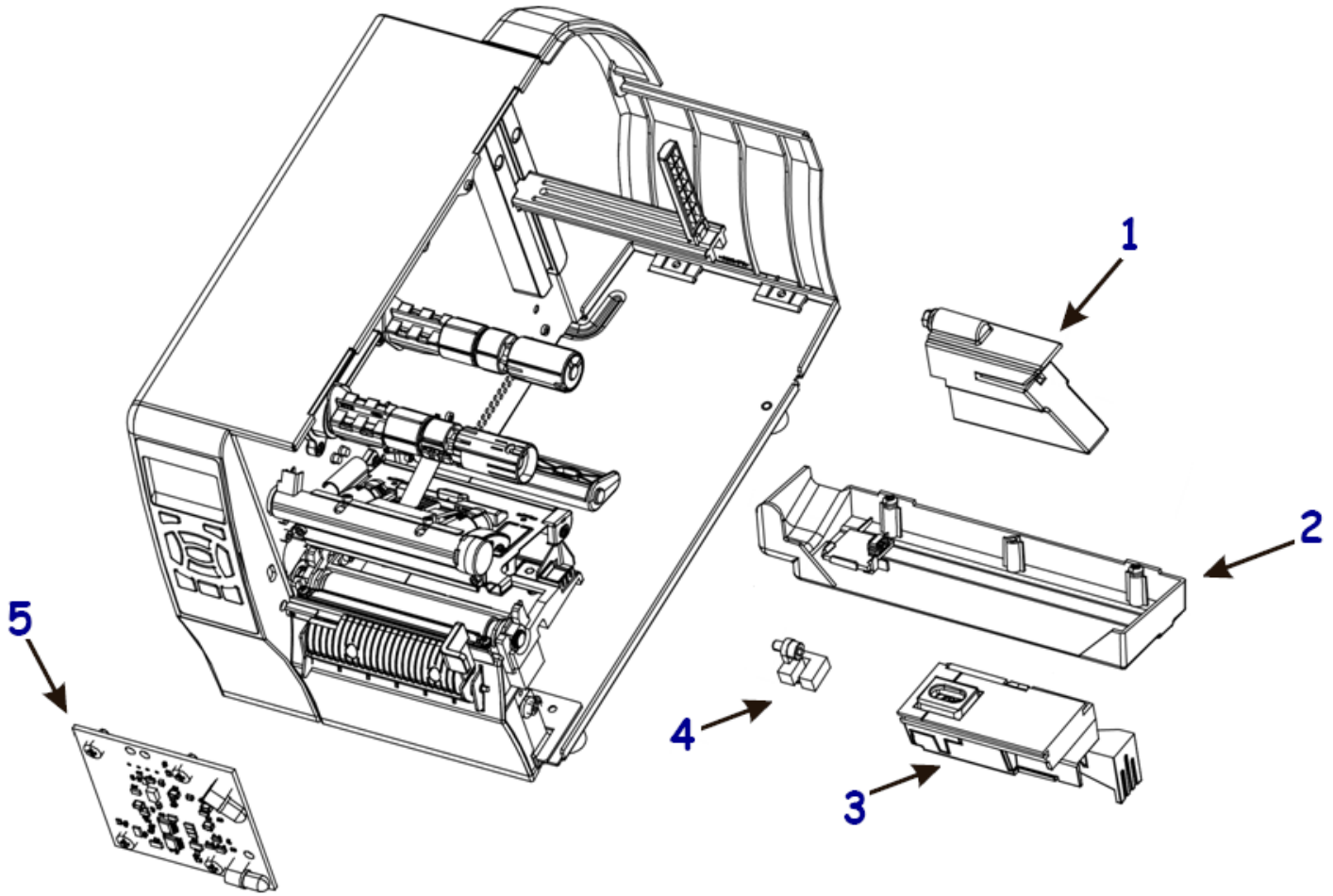
Electronic Components



| Item Number | Description | Part Number | Kit Quantity |
|-------------|---|---------------|--------------|
| 1 | Kit ZebraNet Internal Wireless 802.11 n radio ZT200 Series USA & Canada | P1037974-003A | 1 |
| 1 | Kit ZebraNet Internal Wireless 802.11 n radio ZT200 Series Japan | P1037974-003B | 1 |
| 1 | Kit ZebraNet Internal Wireless 802.11 n radio ZT200 Series Europe, Asia, South America, Middle East, Africa, etc... | P1037974-003C | 1 |
| 2 | Kit Internal Printserver (Ethernet port) ZT200 Series | P1037974-001 | 1 |
| 3 | Kit Parallel Port ZT200 Series | P1037974-002 | 1 |
| 4 | Kit Power Supply ZT200 Series | P1037974-018 | 1 |
| 5 | Kit Main Logic Board ZT200 Series | P1037974-017 | 1 |
| | Kit Real Time Clock PCB ZT200 Series | P1037974-004 | 1 |
| | Kit Power Switch ZT200 Series | P1037974-019 | 1 |
| | Kit Brackets for Power Supply ZT200 Series | P1037974-043 | 1 |
| | Kit Replacement Antenna for 802.11n Radio | P1037974-053 | 1 |
| | Kit Electronics Cables for Cutter & LTU options | P1037974-020 | 1 |
| | USA Power Cord | 46693 | 1 |
| | Europe Power Cord | 46629 | 1 |
| | UK Power Cord | 46637 | 1 |
| | Japan Power Cord | 37609 | 1 |
| | China Power Cord | 47612 | 1 |

ZT200 Series Parts Catalog

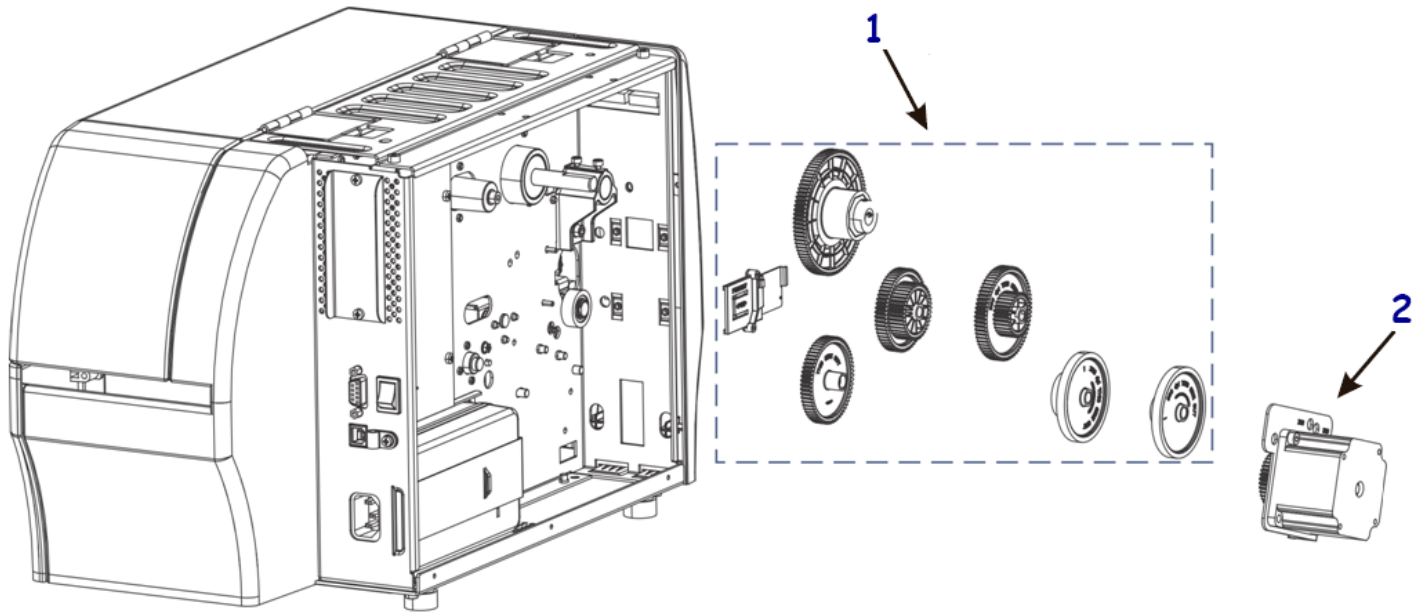
Sensors



| Item Number | Description | Part Number | Kit Quantity |
|-------------|--|--------------|--------------|
| 1 | Kit Media Sensor ZT200 Series | P1037974-021 | 1 |
| 2 | Kit Ribbon Sensor ZT200 Series | P1037974-023 | 1 |
| 3 | Kit Reflective Sensor (Black Mark Sensor) ZT200 Series | P1037974-022 | 1 |
| 4 | Kit Head Open Sensor ZT200 Series | P1037974-025 | 1 |
| 5 | Kit Take Label Sensor ZT200 Series | P1037974-024 | 1 |

ZT200 Series Parts Catalog

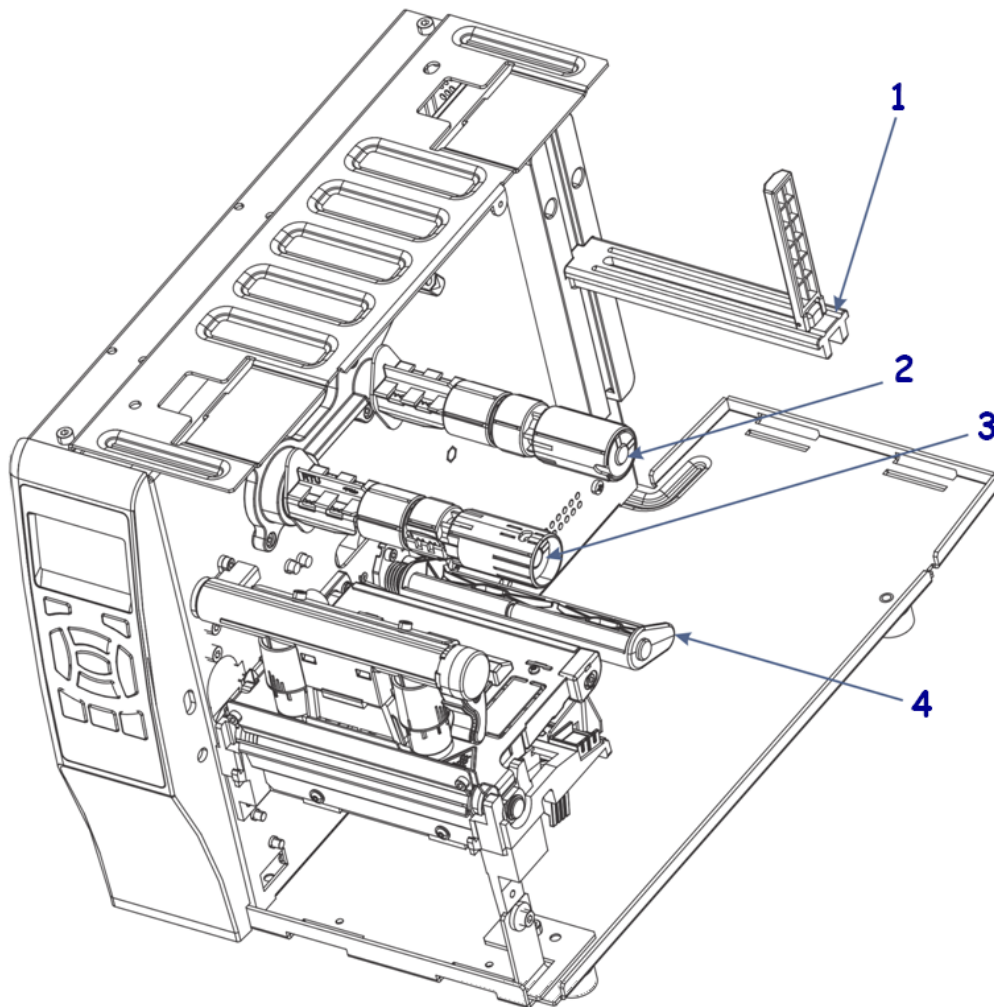
Drive System Components



| Item Number | Description | Part Number | Kit Quantity |
|-------------|---|--------------|--------------|
| 1 | Kit Drive Gears ZT200 Series (includes gears for 203 dpi and 300 dpi) only for serial numbers <u>less</u> than TT143103477 | P1037974-029 | 1 |
| 1 | Kit Drive Gears ZT200 Series (includes gears for 203 dpi and 300 dpi) only for serial numbers <u>greater</u> than TT143103477 | P1037974-061 | 1 |
| 2 | Kit Drive Motor for 203 dpi and 300 dpi ZT200 Series only for serial numbers <u>less</u> than TT143003038 | P1037974-030 | 1 |
| 2 | Kit Drive Motor for 203 dpi and 300 dpi ZT200 Series only for serial numbers <u>greater</u> than TT143003038 | P1037974-062 | 1 |

ZT200 Series Parts Catalog

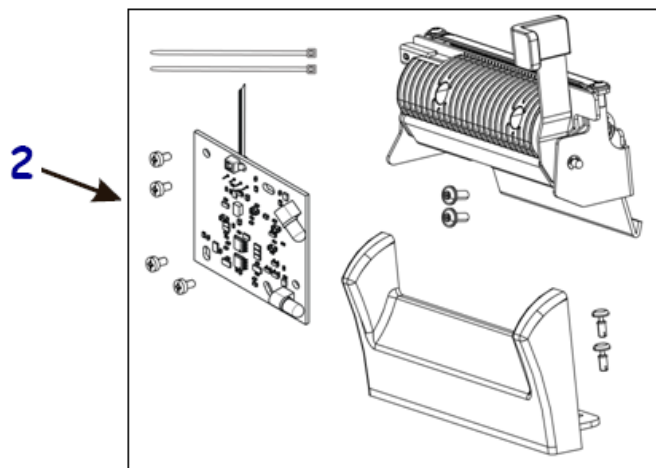
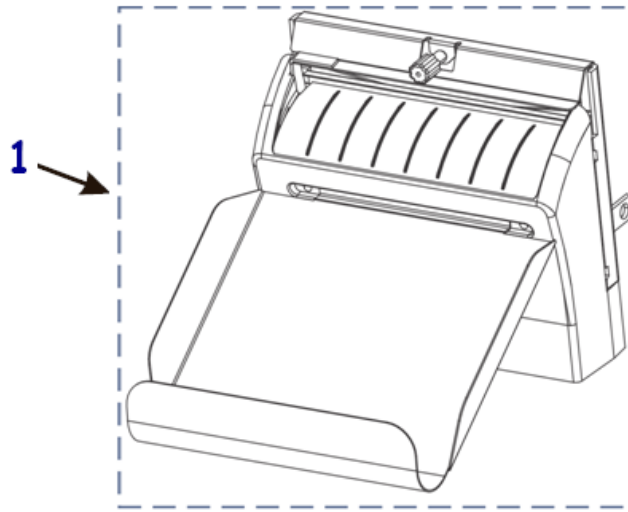
Media Path Components



| Item Number | Description | Part Number | Kit Quantity |
|-------------|---|--------------|--------------|
| 1 | Kit Media Hanger ZT200 Series | P1037974-027 | 1 |
| 2 | Kit Ribbon Supply Spindle ZT200 Series | P1037974-050 | 1 |
| 3 | Kit Ribbon Take Up Spindle ZT200 Series | P1037974-051 | 1 |
| 4 | Kit Media Dancer ZT200 Series | P1037974-057 | 1 |
| | Kit Outer Media Guide ZT200 Series | P1037974-016 | 1 |
| | Kit Tear Bar ZT200 Series | 79837M | 1 |
| | Kit Cardboard Cores for Ribbon Spindles (Qty 2) | P1037974-012 | 2 |
| | Kit Entire Ribbon System ZT230 (includes bearing support and both ribbon spindles) | P1037974-026 | 1 |
| | Kit Entire Ribbon System ZT220 or ZT210 (includes bearing support and both ribbon spindles) | P1037990-001 | 1 |
| | Kit Housing for Platen Roller ZT200 Series (includes both media guides) | P1037974-059 | 1 |

ZT200 Series Parts Catalog

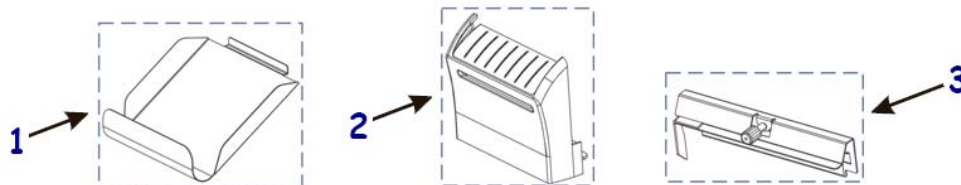
Media Handling Options



| Item Number | Description | Part Number | Kit Quantity |
|-------------|--------------------------------|--------------|--------------|
| 1 | Kit Cutter Option ZT200 Series | P1037974-007 | 1 |
| 2 | Kit Peel Option ZT200 Series | P1037974-008 | 1 |

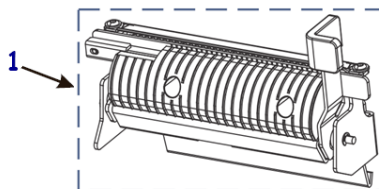
Replacement Components for Media Handling Options:

Cutter Components



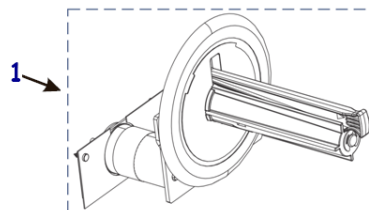
| Item Number | Description | Part Number | Kit Quantity |
|-------------|--|--------------|--------------|
| 1 | Kit Catch Tray for Cutter ZT200 Series | P1037974-037 | 1 |
| 2 | Kit Cover with PCB for Cutter ZT200 Series | P1037974-035 | 1 |
| 3 | Kit Static Brush for Cutter ZT200 Series | P1037974-036 | 1 |

Peel Components



| Item Number | Description | Part Number | Kit Quantity |
|-------------|---------------------------------------|--------------|--------------|
| 1 | Kit Peel Unit ZT200 Series | P1037974-038 | 1 |
| | Kit Roller for Peel Unit ZT200 Series | P1037974-039 | 1 |

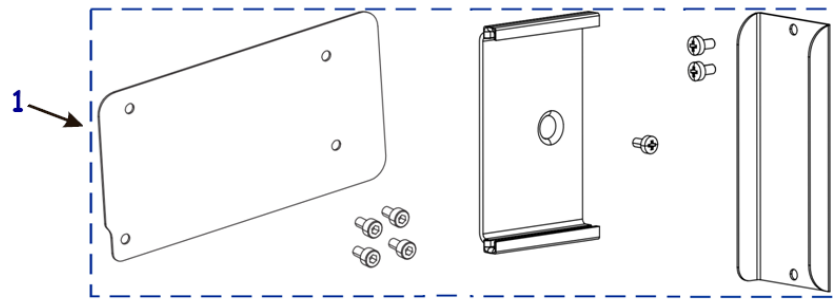
Liner Take-Up (LTU) Components



| Item Number | Description | Part Number | Kit Quantity |
|-------------|---|--------------|--------------|
| 1 | Kit Replacement LTU PCB with Drive Motor and Spindle ZT230 only | P1037974-040 | 1 |
| | Kit Door for LTU (Liner Take Up) ZT230 only | P1037974-054 | 1 |

ZT200 Series Parts Catalog

Covers and Packaging



| Item Number | Description | Part Number | Kit Quantity |
|-------------|---|--------------|--------------|
| 1 | Kit Covers/Mounts for Options ZT200 Series | P1037974-041 | 1 |
| | Kit Top Plate (Electronics Structural Cover) ZT200 Series | P1037974-042 | 1 |
| | Kit Assorted Hardware ZT200 Series (various screws, washers, cable ties, etc.. used throughout the printer) | P1037974-044 | 1 |
| | Kit Feet on bottom of printer (Qty 20) ZT200 Series | P1011215 | 20 |

Packaging Materials for Printer Shipping

| Item Number | Description | Part Number | Kit Quantity |
|-------------|---|--------------|--------------|
| | Kit Packaging for ZT230 or ZT210 (Qty 1) | P1037974-045 | 1 |
| | Kit Packaging for ZT230 or ZT210 (Qty 8) | P1037974-046 | 8 |
| | Kit Packaging for Liner Take Up Versions of ZT230 (Qty 1) | P1037974-058 | 1 |
| | Kit Packaging for ZT220 (Qty 1) | P1037990-018 | 1 |
| | Kit Packaging for ZT220 (Qty 8) | P1037990-019 | 8 |